

WALL MOUNTED and FLOOR MOUNTED Solid Plastic Urinal Screens

Material Specification

1 . 0 1 Construction

Screens shall be certified CLASS B polyethylene. The material shall contain no foaming agents, which can cause the formation of air pockets. The self-lubricating surface is resistant to marking and can be maintained effectively with ordinary household cleaners. Material is ideal for toilet partition installations, especially in high abuse and high moisture environments.

1 . 0 2 Wall Mounted Screens

Screens shall be 25mm (1") thick, straight cut with fine radius edges. Screens must be 457mm (18") or 610mm (24") deep by 1219mm (48") high and anchored into the wall approximately 305mm (12") off the floor with two brackets spaced 902mm (35.5") apart.

1 . 0 3 Floor Mounted Screens

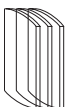
Screens shall be 25mm (1") thick, straight cut with fine radius edges. Screens must be 610mm (24") or 864mm (34") deep by 1397mm (55") high and anchored into the wall approximately 356mm (14") off the floor with two brackets spaced 1156mm (45.5") apart. Pilasters shall be securely and rigidly fastened to the floor with 3" (76mm) high stainless steel anchor shoes. Plastic anchor shoes are also available.

1 . 0 4 Hardware & Fittings

Wall mounted and floor mounted screens shall be fastened to the wall with heavy-duty aluminum brackets. Floor mounted screens shall be fastened to the supporting pilaster with a full height continuous aluminum "U" channel. Fasteners are theft-proof 6-lobe security head stainless steel screws.

1 . 0 5 Finish

Screens shall be certified CLASS B polyethylene with uniform color throughout. Color shall be as selected from Hadrian's color card.



Hadrian Manufacturing Inc.,

965 Syscon Road, Burlington, ON, Canada, L7L 5S3

• Tel: (905) 333-0300

• Fax: (905) 333-1841

Hadrian Inc.,

7420 Clover Avenue, Mentor, OH, U.S.A., 44060

• Tel: (440) 942-9118

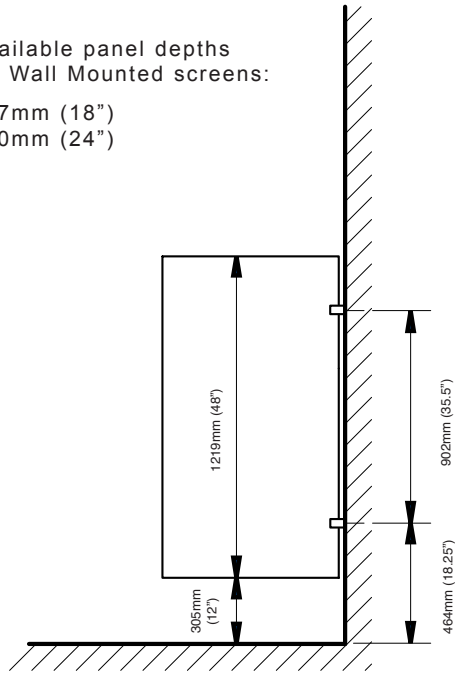
• Fax: (440) 942-9618

www.hadrian-inc.com

WALL MOUNTED and FLOOR MOUNTED Solid Plastic Urinal Screens

Available panel depths
for Wall Mounted screens:

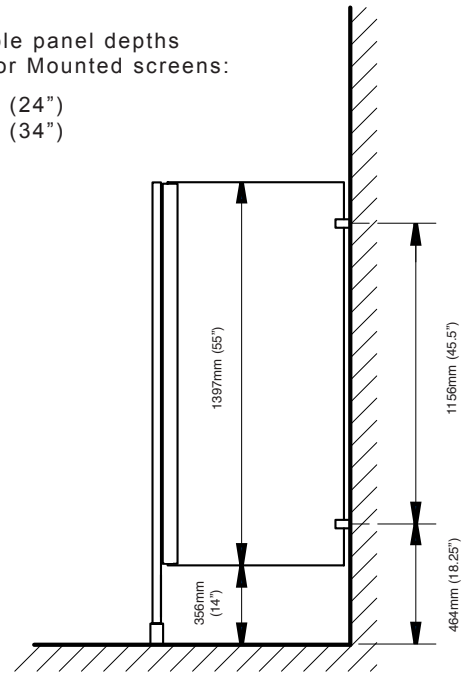
457mm (18")
610mm (24")



Wall Mounted Screen

Available panel depths
for Floor Mounted screens:

610mm (24")
864mm (34")



Floor Mounted Screen

Important Note:

Refer to final drawings for wood blocking information. Wood blocking is critical to ensure a rigid installation.

